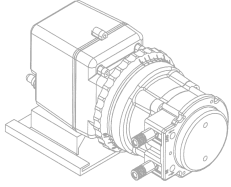




PRODUCT LINE SPECIFICATIONS **CLASSIC SERIES 45/85**



U.S. Gallon Ranges:

Series 45.....0.2-50 GPD

~~Series 85.....0.6-257.4 GPD~~

Max GPD for pressures 0-100 psi is 40 gallons.
See output charts or call factory for assistance.

Metric Ranges:

Series 45.....0.6-151.4 LPD

~~Series 85.....0.6-257.4 LPD~~

Max LPD for pressures 0-6.9 bar is 121.1 liters per day.

Series 45 M - Adjustable Low Pressure: 0 to 25 psi (1.72 bar) Maximum Discharge Pressure

MODEL TUBE FEED RATE CONTROL SETTING: Outputs per day in U.S. Gallons @ 60Hz (black, left) & Liters @ 50Hz (green, right)

			L	1	2	3	4	5	6	7	8	9	10										
45M1	#1	0.2	0.6	0.3	0.9	0.6	1.8	0.9	2.7	1.2	3.6	1.5	4.5	1.8	5.5	2.1	6.4	2.4	7.3	2.7	8.2	3.0	9.1
45M2	#2	0.5	1.5	1.0	3.0	2.0	6.1	3.0	9.1	4.0	12.1	5.0	15.1	6.0	18.2	7.0	21.2	8.0	24.2	9.0	27.3	10.0	30.3
45M3	#3	1.1	3.3	2.2	6.6	4.4	13.3	6.6	20.0	8.8	26.6	11.0	33.3	13.2	40.0	15.4	46.6	17.6	53.3	19.8	60.0	22.0	66.6
45M4	#4	1.7	5.1	3.5	10.6	7.0	21.2	10.5	31.8	14.0	42.4	17.5	53.0	21.0	63.6	24.5	74.2	28.0	84.8	31.5	95.4	35.0	106.0
45M5	#5	2.5	7.6	5.0	15.1	10.0	30.3	15.0	45.4	20.0	60.6	25.0	75.7	30.0	90.8	35.0	106.0	40.0	121.1	45.0	136.3	50.0	151.4

Series 45 MHP - Adjustable High Pressure: 0 to 100 psi (6.9 bar) Maximum Discharge Pressure

MODEL TUBE FEED RATE CONTROL SETTING: Outputs per day in U.S. Gallons @ 60Hz (black, left) & Liters @ 50Hz (green, right)

			L	1	2	3	4	5	6	7	8	9	10										
45MHP2	#1	0.2	0.6	0.3	0.9	0.6	1.8	0.9	2.7	1.2	3.6	1.5	4.5	1.8	5.5	2.1	6.4	2.4	7.3	2.7	8.2	3.0	9.1
45MHP10	#2	0.5	1.5	1.0	3.0	2.0	6.1	3.0	9.1	4.0	12.1	5.0	15.1	6.0	18.2	7.0	21.2	8.0	24.2	9.0	27.3	10.0	30.3
45MHP22	#7	1.1	3.3	2.2	6.6	4.4	13.3	6.6	20.0	8.8	26.6	11.0	33.3	13.2	40.0	15.4	46.6	17.6	53.3	19.8	60.0	22.0	66.6

Series 85 M - Adjustable Low Pressure: 0 to 25 psi (1.72 bar) Maximum Discharge Pressure

MODEL TUBE FEED RATE CONTROL SETTING: Outputs per day in U.S. Gallons @ 60Hz (black, left) & Liters @ 50Hz (green, right)

			L	1	2	3	4	5	6	7	8	9	10										
85M1	#1	0.3	0.9	0.5	1.5	1.0	3.0	1.5	4.5	2.0	6.1	2.5	7.6	3.0	9.1	3.5	10.6	4.0	12.1	4.5	13.6	5.0	15.1
85M2	#2	0.8	2.4	1.7	5.1	3.4	10.3	5.1	15.4	6.8	20.6	8.5	25.7	10.2	30.9	11.9	36.0	13.6	41.2	15.3	46.3	17.0	51.5
85M3	#3	2.0	6.1	4.0	12.1	8.0	24.2	12.0	36.3	16.0	48.5	20.0	60.6	24.0	76.7	28.0	84.8	32.0	96.9	36.0	109.0	40.0	121.1
85M4	#4	3.0	9.1	6.0	18.2	12.0	36.3	18.0	54.5	24.0	76.7	30.0	90.8	36.0	109.0	42.0	127.2	48.0	145.3	54.0	163.5	60.0	181.7
85M5	#5	4.3	13.0	8.5	25.7	17.0	51.5	25.5	77.2	34.0	103.0	42.5	128.7	51.0	154.4	59.5	180.0	68.0	205.9	76.5	231.6	85.0	257.4

Series 85 MHP - Adjustable High Pressure: 0 to 100 psi (6.9 bar) Maximum Discharge Pressure

MODEL TUBE FEED RATE CONTROL SETTING: Outputs per day in U.S. Gallons @ 60Hz (black, left) & Liters @ 50Hz (green, right)

			L	1	2	3	4	5	6	7	8	9	10										
85MHP5	#1	0.3	0.9	0.5	1.5	1.0	3.0	1.5	4.5	2.0	6.1	2.5	7.6	3.0	9.1	3.5	10.6	4.0	12.1	4.5	13.6	5.0	15.1
85MHP17	#2	0.8	2.4	1.7	5.1	3.4	10.3	5.1	15.4	6.8	20.6	8.5	25.7	10.2	30.9	11.9	36.0	13.6	41.2	15.3	46.3	17.0	51.5
85MHP40	#7	2.0	6.1	4.0	12.1	8.0	24.2	12.0	36.3	16.0	48.5	20.0	60.6	24.0	76.7	28.0	84.8	32.0	96.9	36.0	109.0	40.0	121.1

Discharge Pressures..... 0-100 psi; 0-6.9 bar

Output Ranges..... 0.2-85 gallons/day;
0.6-257.4 liters/day

Turndown Ratio..... (adjustable models)
20:1, 5% to 100%
in 2.5% increments

Voltages Available..... 120v 60 Hz; 220v 60 Hz;
230v 50 Hz; 250v 50 Hz

Motor RPM..... 26 (45 series);
44 (85 series)

Amp Draw..... 1.70 120v; 0.9 220v, 230v, 250v

Horsepower..... 1/30 fractional

Connections..... 1/4", 3/8" or 6mm
suction/discharge tubing

Shipping Weight..... 6 lbs. (2.72 kg)-single head, fixed
8 lbs. (3.63 kg)-single head adjustable

Viscosity..... Maximum 1500 cps; over 1500 cps
consult factory

Operating Temperature..... Maximum 125 degrees Fahrenheit/
51.6 degrees Celsius

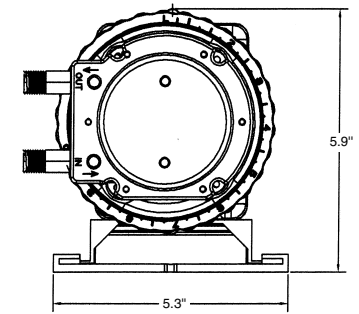
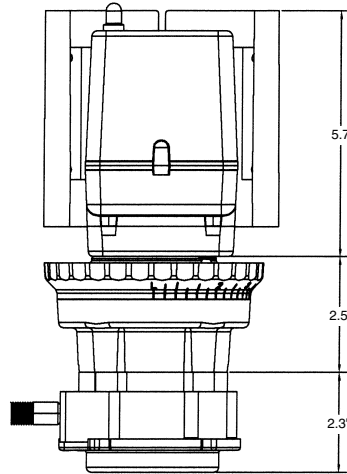
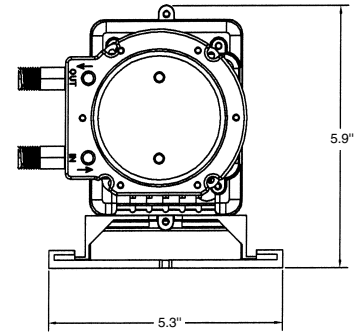
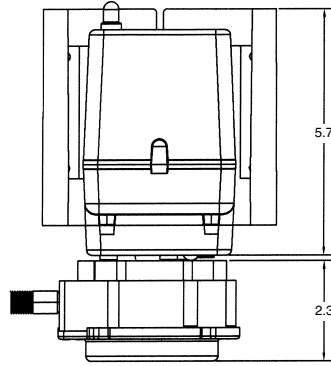
PRODUCT LINE SPECIFICATIONS **CLASSIC SERIES 45/85**



Single head fixed rate



Single head adjustable



Materials of Construction:

All Housings*.....Lexan® Polycarbonate Plastic

Peristaltic Tube**.....Santoprene® TPR-FDA Approved
Check Valve Duckbill

Suction/Discharge Tubing.....LDPE Polyethylene-NSF/FDA Approved
Ferrules (1/4" & 6mm)

Tube Fittings.....Type 1 Rigid PVC-NSF Listed
Connecting Nuts
Check Valve Fittings
Ceramic Weight Clip

Suction Weight.....Ceramic

All Fasteners.....Stainless Steel

* Lexan® is a registered trademark of General Electric. Consult General Electric for chemical resistance of Lexan®.

**Santoprene® is a registered trademark of Advanced Elastomer System. Refer to chemical resistance chart in Stenner catalog for material compatibility.

Material for all wetted parts have been tested and approved for potable water applications.

Reliable Chemical Feed Pumps Since 1957

Stenner Classic Series metering pumps are self-priming and the 3-point roller assembly provides a positive 2-point seal on the pump tube at all times. This eliminates the need for anti-siphoning valves and diaphragms. The patented mechanical feed rate control (adjustable models) allows the pump's output to be scaled from 5% to 100% with the simple turn of the dial. Consult output chart for specific settings.



3174 DeSalvo Road
Jacksonville, FL 32246
Phone: 904-641-1666
US Toll Free: 800-683-2378
Fax: 904-642-1012

sales@stenner.com
www.stenner.com
Hours of Operation (EST):
Mon.-Thu.: 7 am - 5 pm
Friday: 7 am - Noon



SANITATION LISTED
CONFORMS TO
STD. NSF-50
REGULATION SYSTEM
COMPONENTS FOR SWIMMING
POOLS, SPAS, OR HOT TUBS



METERING PUMP
L879845

